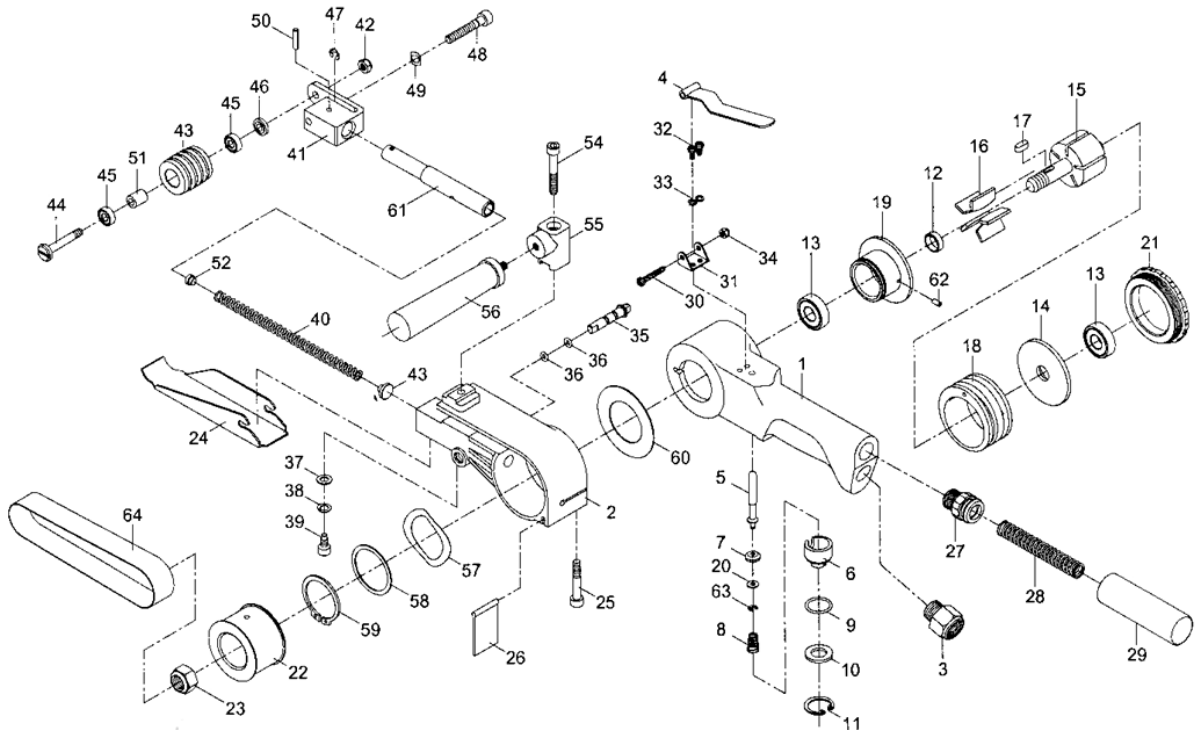


GP-0466S BELT SANDER



PARTS DESCRIPTION

<u>NO.</u>	<u>DESCRIPTION</u>
01.	HOUSING
02.	GUARD BODY
03.	AIR INLET
04.	LEVER
05.	VALVE STEM
06.	ADJUST VALVE
07.	SEAL
08.	SPRING
09.	O-RING
10.	SPACER
11.	RETAINING RING
12.	DISTANCE COLLAR
13.	BALL BEARING (2)
14.	REAR END PLATE
15.	ROTOR
16.	ROTOR BLADE (5)
17.	KEY
18.	CYLINDER
19.	FRONT END PLATE
20.	WASHER
21.	CAP
22.	DRIVE PULLEY
23.	NUT
24.	FLAT SHOE
25.	BOLT
26.	DUST COVER
27.	NIPPLE
28.	SPRING
29.	SILENCER
30.	SCREW
31.	LEVER SUPPORT
32.	SCREW (2)

PARTS DESCRIPTION

<u>NO.</u>	<u>DESCRIPTION</u>
33.	SPRING WASHER (2)
34.	NUT
35.	SHOE HOLDER
36.	O-RING (2)
37.	WASHER
38.	SPRING WASHER
39.	SCREW
40.	SPRING
41.	TENSION BAR
42.	NUT
43.	IDLE PULLEY
44.	SHAFT
45.	BALL BEARING (2)
46.	SPACER
47.	RETAINING RING
48.	BOLT
49.	WAVED LOCK WASHER
50.	SPRING PIN
51.	SPACER
52.	SPRING RETAINER
53.	SPRING RETAINER
54.	BOLT
55.	SUB HANDLE HOLDER
56.	HANDLE
57.	WAVED LOCK WASHER
58.	THRUST WASHER
59.	RETAINING RING
60.	THRUST WASHER
61.	ARM
62.	SPRING PIN
63.	RETAINING RING
64.	GRINDING BELT SET (10PCS)